

GWF-H 型船用金属橡胶隔振器

GWF-H Series Metal-rubber Vibration Isolator for Ships

主要技术参数 Technical Data

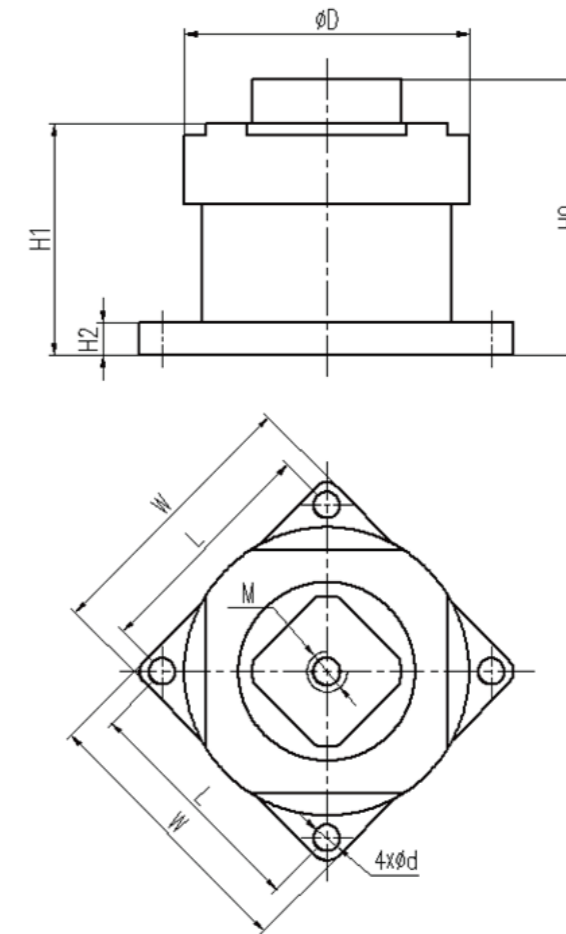
金属橡胶隔振器安装形式为垂向压缩支承式，一般用于结构重心较低设备的隔振系统。当设备高宽比大于 1 时，采用组合式支撑，设备底部安装金属橡胶隔振器，背部可安装其它弹性元件隔振器（钢丝绳隔振器）作稳定支撑。

The mounting method of metal-rubber vibration isolator is compression way which is usually designed for the vibration isolation system with lower gravity center position. When Height : Width > 1, except the base-mounted wire rope isolator, we usually add another kind of vibration isolator (wire rope isolator) as stabilizer.

| 型号 Model | 额定载荷 Rated Load (N) | 载荷范围 Range (N) | 固有频率 Natural Frequency (Hz) | 额定载荷下静位移 Static Deflection (mm) | 共振放大倍数 Resonance magnification | 工作温度范围 Working Temperature (°C) | 单支重量 Unit Weight (kg) |
|-------------|---------------------------|----------------------|--------------------------------------|---------------------------------------|--------------------------------------|---------------------------------------|-----------------------------|
| GWF1H | 10 | 8 ~ 12 | 8±2 | < 2mm | ≤3.5 | -55°C ~ 180°C | ≤0.4 |
| GWF2.5H | 25 | 20 ~ 30 | | | | | |
| GWF5H | 50 | 40 ~ 60 | | | | | |
| GWF6H | 60 | 48 ~ 72 | 8±2 | < 2mm | ≤3.5 | -55°C ~ 180°C | ≤0.8 |
| GWF8H | 80 | 64 ~ 96 | | | | | |
| GWF10H | 100 | 85 ~ 115 | | | | | |
| GWF15H | 150 | 130 ~ 170 | | | | | |
| GWF20H | 200 | 170 ~ 230 | 8±2 | < 2mm | ≤3.5 | -55°C ~ 180°C | ≤1 |
| GWF25H | 250 | 210 ~ 290 | | | | | |
| GWF30H | 300 | 250 ~ 350 | | | | | |
| GWF40H | 400 | 350 ~ 450 | 8±2 | < 2mm | ≤3.5 | -55°C ~ 180°C | ≤2.5 |
| GWF50H | 500 | 450 ~ 550 | | | | | |
| GWF60H | 600 | 520 ~ 680 | | | | | |
| GWF80H | 800 | 700 ~ 900 | | | | | |

注：本表所列产品适用于舰船环境条件下工作的设备隔振系统。

Remarks: Models listed in above table are for marine applications.



主要结构尺寸 Dimensions

| 型号 Model | 安装尺寸 Mounting Size (mm) | | | 外形尺寸 Outer Dimensions (mm) | | | | |
|--------------|------------------------------|-----|----|---------------------------------|----|----|----|----|
| | M | d | L | D | W | H0 | H1 | H2 |
| GWF1H ~ 5H | M5 | 4.5 | 40 | 48 | 50 | 50 | 42 | 6 |
| GWF6H ~ 15H | M8 | 6.5 | 54 | 65 | 64 | 60 | 49 | 6 |
| GWF20H ~ 30H | M8 | 6.5 | 58 | 71 | 68 | 68 | 57 | 6 |
| GWF40H ~ 80H | M12 | 8.5 | 77 | 94 | 94 | 90 | 69 | 10 |

注：图标内所表明的尺寸数据作为检验标准，未注公差尺寸按GB/T1804-2009《一般公差未注公差的线性和角度尺寸的公差》标准中规定的m级公差进行验收。

Remarks: The size data indicated above is used as the inspection standard, and the indicated tolerance size is accepted according to the tolerance of the data specified in the standard (GB/T1804-2009).