

# GWF-K 型机载金属橡胶隔振器

## GWF-H Series Metal-rubber Vibration Isolator for Avionics

### 主要技术参数 Technical Data

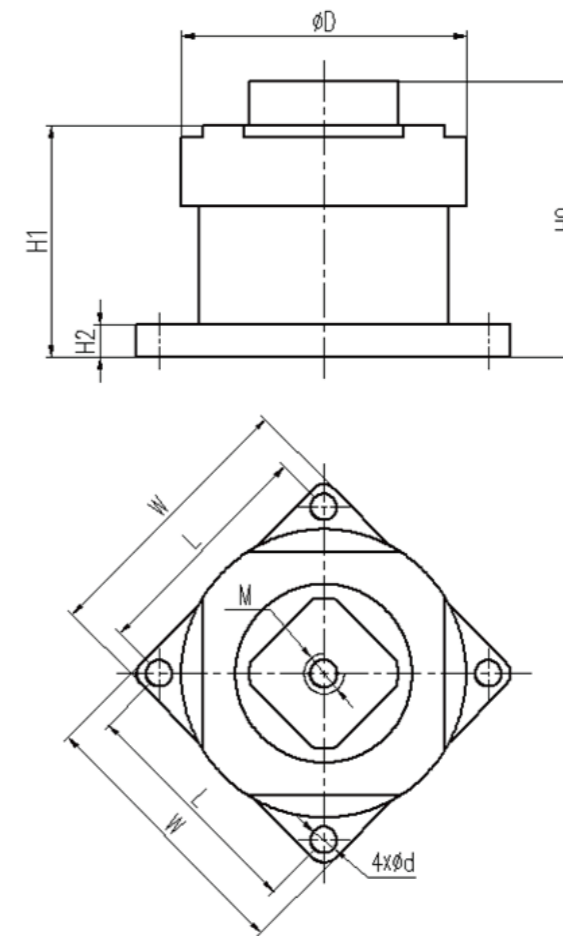
金属橡胶隔振器安装形式为垂向压缩支承式，一般用于结构重心较低设备的隔振系统。当设备高宽比大于 1 时，采用组合式支撑，设备底部安装金属橡胶隔振器，背部可安装其它弹性元件隔振器（钢丝绳隔振器）作稳定支撑。

The mounting method of metal-rubber vibration isolator is compression way which is usually designed for the vibration isolation system with lower gravity center position. When Height : Width > 1, except the base-mounted wire rope isolator, we usually add another kind of vibration isolator (wire rope isolator) as stabilizer.

型号 Model	额定载荷 Rated Load (N)	载荷范围 Range (N)	固有频率 Natural Frequency (Hz)	额定载荷下静位移 Static Deflection (mm)	共振放大倍数 Resonance magnification	工作温度范围 Working Temperature (°C)	单支重量 Unit Weight (kg)
GWF1K	10	8~12	10±2	< 1mm	≤3.5	-55°C ~ 180°C	≤0.4
GWF2.5K	25	20~30					
GWF5K	50	40~60					
GWF6K	60	48~72	10±2	< 1mm	≤3.5	-55°C ~ 180°C	≤0.8
GWF8K	80	64~96					
GWF10K	100	85~115					
GWF15K	150	130~170	10±2	< 1mm	≤3.5	-55°C ~ 180°C	≤1
GWF20K	200	170~230					
GWF25K	250	210~290					
GWF30K	300	250~350					

注：本表所列产品适用于机载环境条件下工作的设备隔振系统。

Remarks: Models listed in above table are for avionic applications.



### 主要结构尺寸 Dimensions

型号 Model	安装尺寸 Mounting Size ( mm )			外形尺寸 Outer Dimensions ( mm )				
	M	d	L	D	W	H0	H1	H2
GWF1K ~ 5K	M5	4.5	40	48	50	50	42	6
GWF6K ~ 15K	M8	6.5	54	65	64	60	49	6
GWF20K ~ 30K	M8	6.5	58	71	68	68	57	6

注：图标内所表明的尺寸数据作为检验标准，未注公差尺寸按GB/T1804-2009《一般公差未注公差的线性和角度尺寸的公差》标准中规定的m级公差进行验收。

Remarks: The size data indicated above is used as the inspection standard, and the indicated tolerance size is accepted according to the tolerance of the data specified in the standard (GB/T1804-2009).